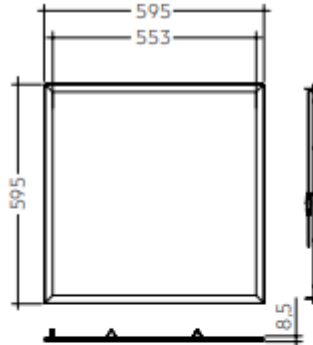


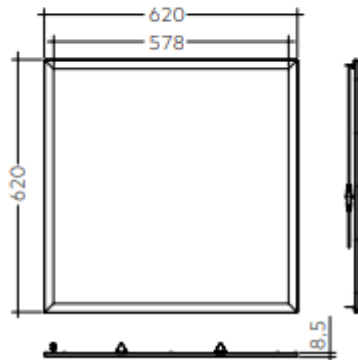
Module ELA G1 SNC



Please see the attached pages for detailed specifications.



ELA G1 600x600mm SNC



ELA G1 625x625mm SNC

Mounting:	Recessed or surface
Body material:	Aluminium
Colour:	White
LED module:	Tridonic
Colour temperature:	3000k, 4000k, 6500k
Colour Rendering Index (CRI):	CRI 80>
Driver:	Tridonic
Emergency unit:	No
Movement sensor:	Available on request
Daylight control sensor:	Available on request
Operating temperature range:	-20°C to +40°C
IP Class:	IP20
Power:	N/A
Lighting direction:	Direct
Reflector type:	N/A
Light distribution:	Symmetric
Diffuser:	PMMA
General data:	5 Years standard warranty, possible extension with project registration Different lumen output or wattage available on request All other technical features such as : Luminaire Eicacy, LOR, Lumen maintenance L/B etc. available in our pricelist Wattage of products may vary due to constant LED eicacy improvements. Luminous lux & Luminaire Power tolerance +/- 10%. System power consumption (LED module & driver) depends on components used