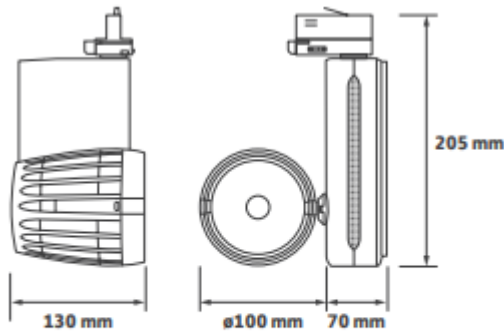


82 Series



Please see the attached pages for detailed specifications.



Mounting:	Track
Body material:	Aluminium
Colour:	Various RAL colours available
LED module:	Philips Premium White Ra90 LED module
Colour temperature:	3000k/4000k
Colour Rendering Index (CRI):	CRI 80>
Driver:	Philips
Emergency unit:	
Movement sensor:	Available on request
Daylight control sensor:	Available on request
Operating temperature range:	0°C to +40°C
IP Class:	N/A
Power:	N/A
Lighting direction:	Direct
Reflector type:	Low glare 40° multi-faceted reflector as standard
Light distribution:	Symmetric
Diffuser:	N/A
General data:	5 Years standard warranty, possible extension with project registration Different lumen output or wattage available on request All other technical features such as : Luminaire Eicacy, LOR, Lumen maintenance L/B etc. available in our pricelist Wattage of products may vary due to constant LED eicacy improvements. Luminous lux & Luminaire Power tolerance +/- 10%. System power consumption (LED module & driver) depends on components used