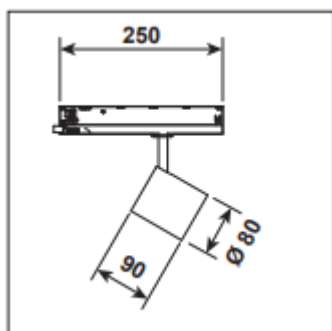


**TES ECO SPOT**



Please see the attached pages for detailed specifications.



<b>Mounting:</b>	Directly in 3 phase or DALI track
<b>Body material:</b>	Steel and aluminium
<b>Colour:</b>	Standard White RAL 9016, other RAL colours on request
<b>LED module:</b>	Signify (Philips), Osram, Tridonic or equivalent LED module included
<b>Colour temperature:</b>	3000/4000K, other on request
<b>Colour Rendering Index (CRI):</b>	CRI 80>
<b>Driver:</b>	Electronic integrated in track driver in standard, DALI on request
<b>Emergency unit:</b>	Available on request
<b>Movement sensor:</b>	Available on request
<b>Daylight control sensor:</b>	Available on request
<b>Operating temperature range:</b>	0°c to +40°c
<b>IP Class:</b>	IP20
<b>Power:</b>	220-240V 50/60Hz
<b>Lighting direction:</b>	Direct lighting with possibility of light direction adjustment
<b>Reflector type:</b>	Aluminium glossy 16°, 24°, 36°, 54° Reflector beam angle
<b>Light distribution:</b>	Symmetric
<b>Diffuser:</b>	N/A
<b>General data:</b>	5 Years standard warranty, possible extension with project registration Different lumen output or wattage available on request All other technical features such as : Luminaire Eicacy, LOR, Lumen maintenance L/B etc. available in our pricelist Wattage of products may vary due to constant LED eicacy improvements. Luminous lux & Luminaire Power tolerance +/- 10%. System power consumption (LED module & driver) depends on components used