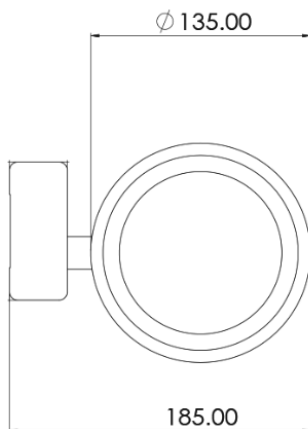
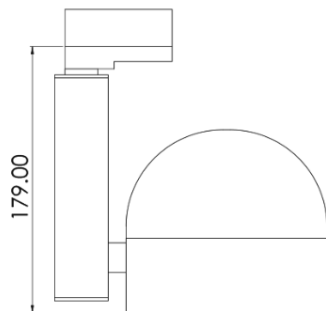


DOVE D01 RAIL SPOT



Please see the attached pages for detailed specifications.



Mounting:	Track
Body material:	Aluminium
Colour:	White
LED module:	First brand LED module
Colour temperature:	2700K - 6500K
Colour Rendering Index (CRI):	CRI 80> CRI 90> CRI 95>
Driver:	First brand driver
Emergency unit:	Available on request
Movement sensor:	Available on request
Daylight control sensor:	Available on request
Operating temperature range:	-10°c to +50°c
IP Class:	IP20
Power:	220-240V 50/60Hz
Lighting direction:	Direct
Reflector type:	Reflector options offering different angles
Light distribution:	Symmetric
Diffuser:	Tempered glass
General data:	5 Years standard warranty, possible extension with project registration Different lumen output or wattage available on request All other technical features such as : Luminaire Eicacy, LOR, Lumen maintenance L/B etc. available in our pricelist Wattage of products may vary due to constant LED eicacy improvements. Luminous lux & Luminaire Power tolerance +/- 10%. System power consumption (LED module & driver) depends on components used