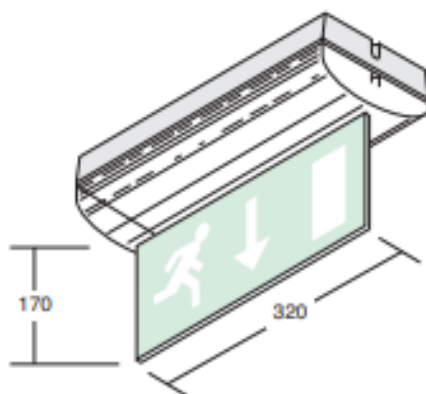
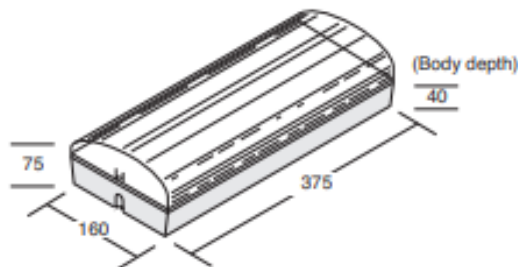


Finesse



Please see the attached pages for detailed specifications.



Mounting:	Surface /Recessed
Body material:	Polycarbonate
Colour:	White
LED module:	N/A
Colour temperature:	4500K
Colour Rendering Index (CRI):	CRI 80>
Driver:	First brand driver
Emergency unit:	Yes
Movement sensor:	N/A
Daylight control sensor:	N/A
Operating temperature range:	N/A
IP Class:	IP65 (IP21 for Blade Exit)
Power:	0°c to +40°c
Lighting direction:	Direct
Reflector type:	Polycarbonate base with linear prism lens
Light distribution:	Symmetric
Diffuser:	Polycarbonate base with linear prism lens
General data:	5 Years standard warranty, possible extension with project registration Different lumen output or wattage available on request All other technical features such as : Luminaire Eicacy, LOR, Lumen maintenance L/B etc. available in our pricelist Wattage of products may vary due to constant LED eicacy improvements. Luminous lux & Luminaire Power tolerance +/- 10%. System power consumption (LED module & driver) depends on components used