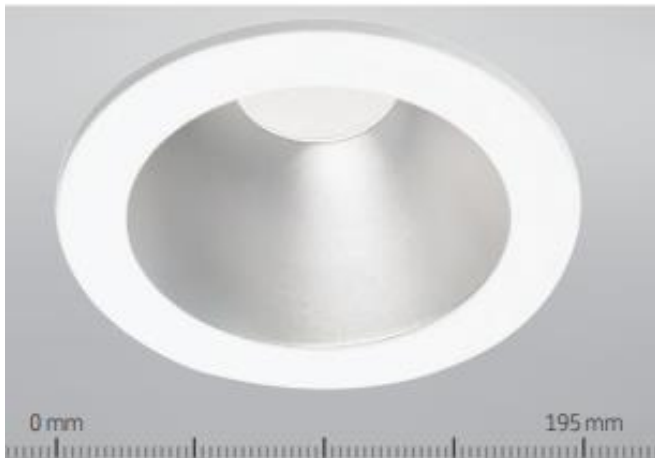
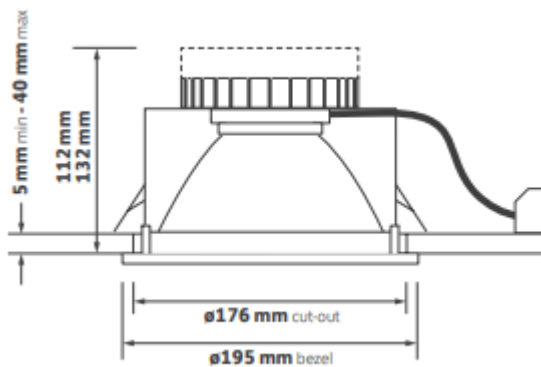


NUDL11



Please see the attached pages for detailed specifications.



| | |
|--------------------------------------|------------------------------------------------------------------------------------------------------------------------------------------------------------------------------------------------------------------------------------------------------------------------------------------------------------------------------------------------------------------------------------------------------------------------------------------------------------------|
| Mounting: | Recessed |
| Body material: | Die-cast Aluminium |
| Colour: | White |
| LED module: | First brand LED module |
| Colour temperature: | 3000k/4000k |
| Colour Rendering Index (CRI): | CRI 80> |
| Driver: | First brand driver |
| Emergency unit: | Yes |
| Movement sensor: | Available on request |
| Daylight control sensor: | Available on request |
| Operating temperature range: | 0°C to +40°C |
| IP Class: | N/A |
| Power: | N/A |
| Lighting direction: | Direct |
| Reflector type: | Satin etched reflector. |
| Light distribution: | Symmetric |
| Diffuser: | N/A |
| General data: | 5 Years standard warranty, possible extension with project registration Different lumen output or wattage available on request All other technical features such as : Luminaire Eicacy, LOR, Lumen maintenance L/B etc. available in our pricelist Wattage of products may vary due to constant LED eicacy improvements. Luminous lux & Luminaire Power tolerance +/- 10%. System power consumption (LED module & driver) depends on components used |