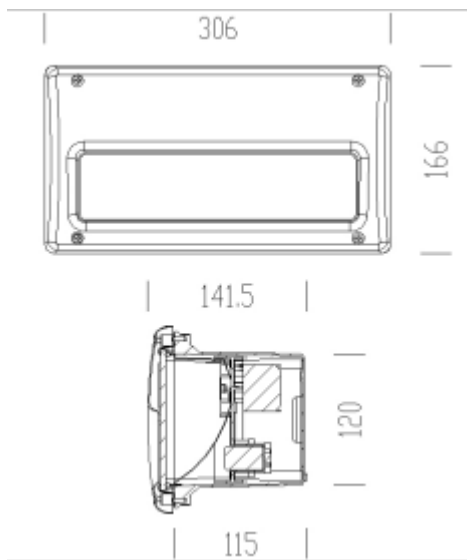


1609 Box 1



Please see the attached pages for detailed specifications.



Mounting:	Wall recessed
Body material:	Stainless Steel
Colour:	INOX
LED module:	First brand LED module
Colour temperature:	4000k
Colour Rendering Index (CRI):	CRI 80>
Driver:	First brand driver
Emergency unit:	No
Movement sensor:	Available on request
Daylight control sensor:	Available on request
Operating temperature range:	0°C to +40°C
IP Class:	IP66
Power:	N/A
Lighting direction:	Direct
Reflector type:	N/A
Light distribution:	Asymmetric
Diffuser:	Tempered glass
General data:	5 Years standard warranty, possible extension with project registration Different lumen output or wattage available on request All other technical features such as : Luminaire Eicacy, LOR, Lumen maintenance L/B etc. available in our pricelist Wattage of products may vary due to constant LED eicacy improvements. Luminous lux & Luminaire Power tolerance +/- 10%. System power consumption (LED module & driver) depends on components used